

# FORCE HAMMERS

## RS200 SERIES

### HYDRAULIC BREAKER

#### Technical Specification

#### TECHNICAL SPECIFICATION RS200

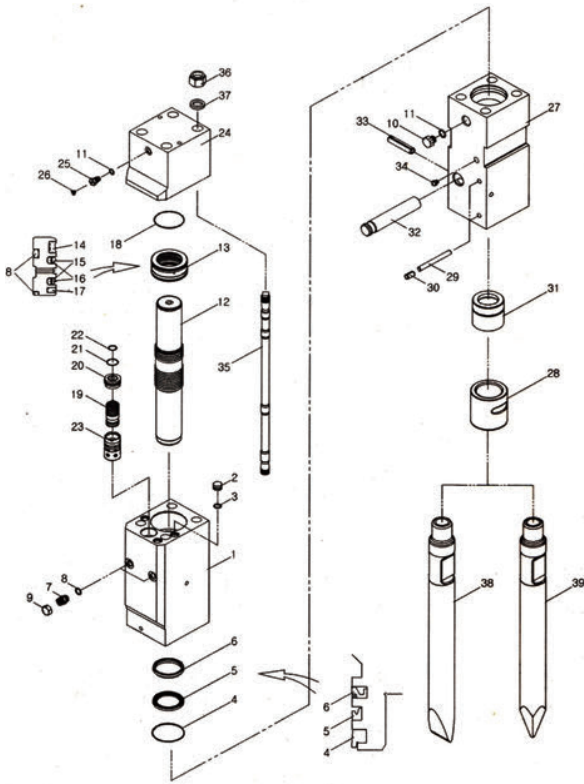
\*Disclaimer: Please contact a Force representative for clarification on specifications and options. Force reserves the right to make changes to the information on this data sheet without prior notification to users.

Item/Model	Unit	RS200
Top Type Weight	kg	140
Box Type Weight	kg	167
Length	mm	1300
Pressure	bar	100-150
Flow	lpm	20-40
Rate	bmp	700-1200
Hose	inch	1/2
Chisel	mm	45
Suit	ton	1.2-3.0



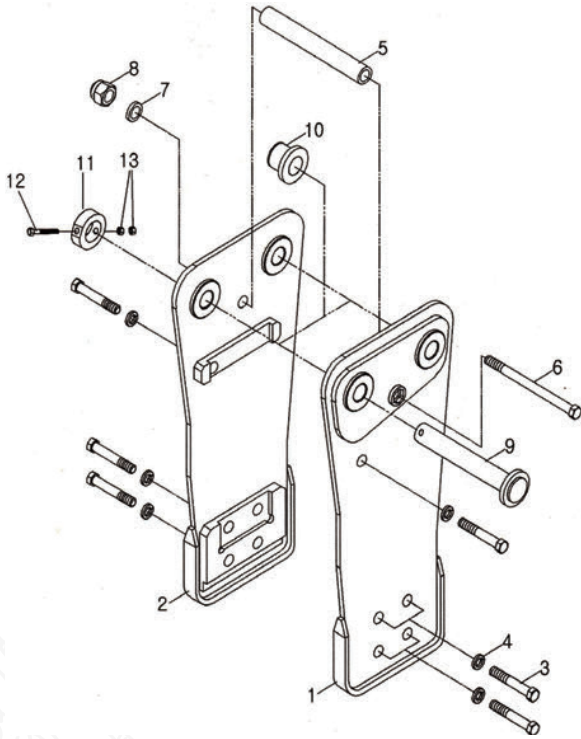
# FORCE HAMMERS

## RS200 Main Body Ass'y



NO	PART NO	PART NAME	Q'YT	MEMO
		CYLINDER ASSY		
1	200M1102	CYLINDER	1	
2	100M1137	TEFLON PLUG	3	
3	OR008	O-RING	3	
4	DS002	DUST SEAL	1	
5	UP002	U-PACKING	1	
6	BS004	BUFFER SEAL	1	
7	100M1125	MALE ADAPTER	2	
8	OR010	O-RING	2	
9	100M1125-1	UNION CAP	2	
10	100M1127	AIR CHECK VALVE	1	
11	OR009	O-RING	2	
12	200M1104	PISTON	1	
		SEAL RETAINER ASS'Y	1	
13	200M1108	SEAL RETAINER	1	
14	GS002	GAS SEAL	1	
15	SS002	STEP SEAL	2	
16	OR070	O-RING	2	
17	BS003	BUFFER SEAL	1	
18	OR014	O-RING	3	
19	100M1106	VALVE	1	
20	100M1107	VALVE PLUG	1	
21	OR011	O-RING	1	
22	OR013	O-RING	1	
23	100M1105	VALVE SLEEVE	1	
		BACK HEAD ASS'Y		
24	200M1103	BACK HEAD	1	
25	100M1127	CHARGING VALVE	1	
26	100M1127-1	CHARGING VALVE PLUG	1	
		FRONT HEAD ASS'Y		
27	200M1101	FRONT HEAD	1	
28	200M1112	LOWER BUSH	1	
29	200M1120	STOP PIN	2	
30	SP1335	SPRING PIN	2	
31	200M1111	UPPER BUSH	1	
32	200M1119	ROD PIN	1	
33	SP1060	SPRING PIN	1	
34	100M1139	GREASE NIPPLE	1	
35	200M1114	THROUGH BOLT	4	
36	200M1115	HEX NUT	4	
37	200M1117	WASHER	4	
38	200M1113	WEDGE CHISEL	1	
39	200M1113-1	MOIL POINT TOOL	1	

## RS200 Top Bracket



NO	PART NO	PART NAME	Q'YT
		FRAME ASSY	
1	200M3101	FRAME-R	1
2	200M3101-1	FRAME-L	1
3	HB181570	HEX BOLT	10
4	SW18	SPRING WASHER	10
5	200M3107	SPACER	1
6	HB1815190	SPACER HEX BOLT	1
7	SW18	SPACER SPRING WASHER	1
8	CN1815	SPACER CAP NUT	1
9	200M3106	PIN	2
10	200M3106-1	T-BUSH	4
11	200M3106-2	STOP BAR	2
12	HB1217585	PIN HEX BOLT	2
13	HN12175	PIN HEX NUT	4

## FORCE HAMMERS PTY LTD.

📍 Address 64 Buckingham Drive, WANGARA, ABN 85 676555990  
Mail PO Box 988, Joondalup DC, Perth Western Australia 6065

☎ 1300 820 603